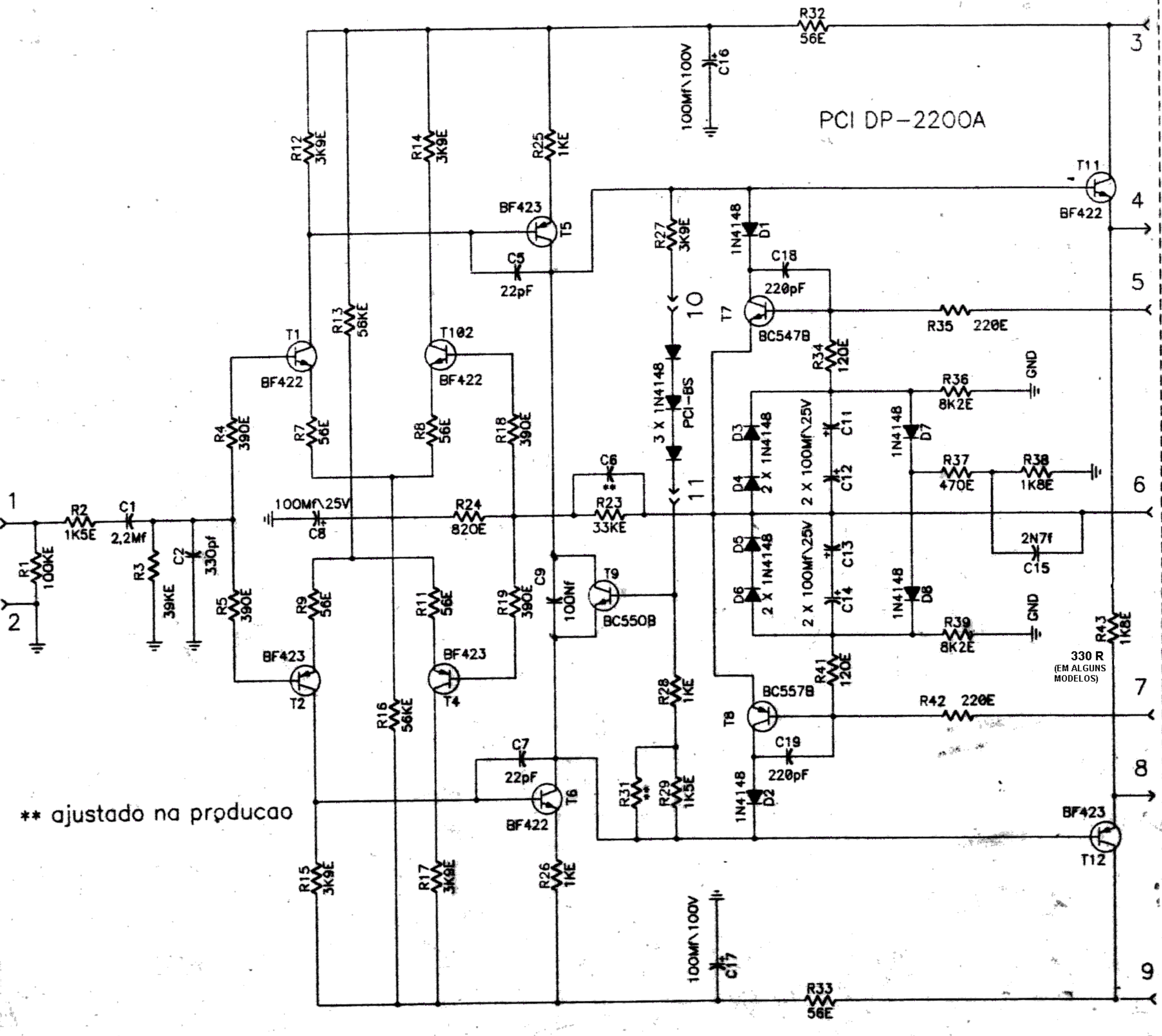
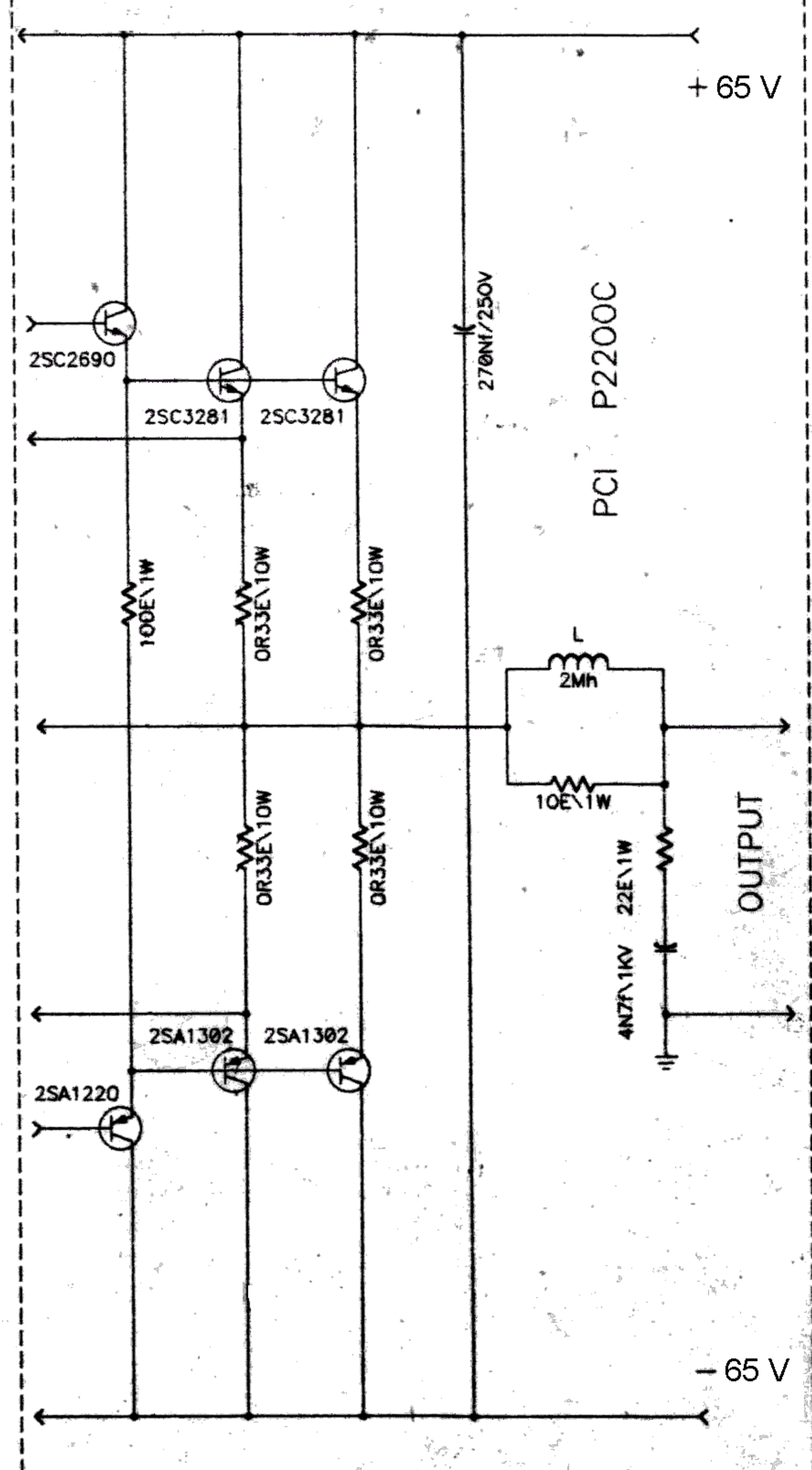


PCI DP-2200A

INPUT



+ 65 V



- 65 V